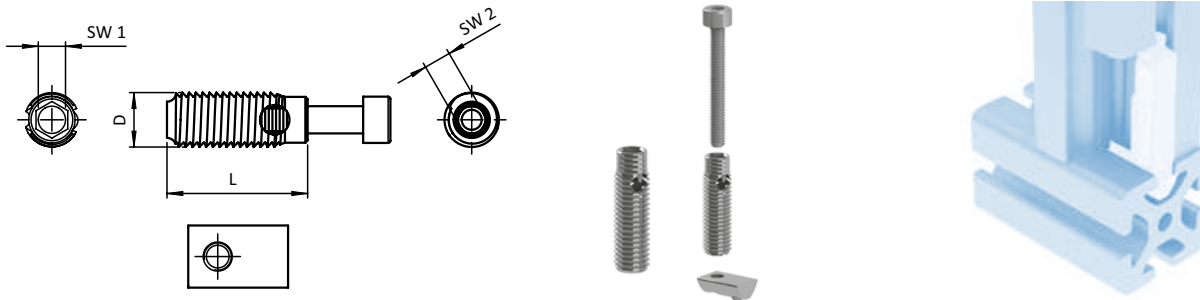


AUTOMATIC CONNECTOR STEEL

MODEL	Steel
DESCRIPTION	To connect two aluminum profiles fast and solid, assembly without machining; self-cutting thread
MATERIAL	Steel
SURFACE	Zinc plated
PACK QUANTITY	10 / 100 pieces
TIP	* Compatible Cover Cap see 099GA081K
TIP 2	** Automatic connector with assembly set for profil B incl. hammer nut instead of T-slot nut



Version	D [mm]	L [mm]	Slot	Profile Width	Screw	SW 1	SW 2	Weight [g]	Profile	Tip	Part #
Cutting sleeve	7.0	24.0	5	20			4	2.5	I		099GS051
	10.0	27.0	6	30			5	7.5	I		099GS061
	10.7	24.0	8	30			5	7.5	B		099GS084
	12.0	31.0	8	40			6	13.0	I	*	099GS081
	14.4	35.0	8	45			6	25.3			099GS086
	12.0	35.0	10	40, 45			6	15.5	B		099GS102
	13.0	35.0	10	45			6	17.0	B		099GS103
	18.0	47.0	12	60			8	51.0	I		099GS121
With assembly set, incl. screw and T-slot nut **	7.0	24.0	5	20	M4 x 30	3	4	8.0	I		099G051
	10.0	27.0	6	30	M5 x 35	4	5	18.0	I		099G061
	10.7	24.0	8	30	M5 x 30	4	5	16.5	B		099G084
	12.0	31.0	8	40	M6 x 40	5	6	33.0	I	*	099G081
	14.4	35.0	8	45	M6 x 45	5		41.8			099G086
	12.0	35.0	10	40, 45	M6 x 45	5	6	33.5	B		099G102
	13.0	35.0	10	45	M6 x 45	5	6	35.0	B		099G103
	18.0	47.0	12	60	M8 x 60	6	8	150.0	I		099G121

